



## Spare part list

### Spring-loaded snow plow

- difficult execution -

Sign height 60 cm

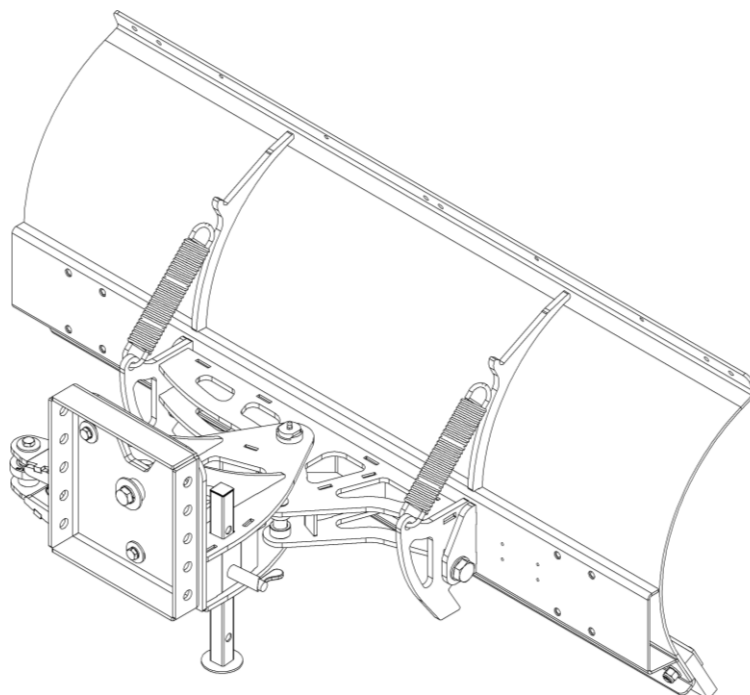
with hydraulic swivel device

Suitable for tractors and area mowers

SCHN 13060 FK - ABR; SCHN 14060 FK - ABR

SCHN 15060 FK - ABR; SCHN 16060 FK - ABR

SCHN 18060 FK - ABR; SCHN 20060 FK - ABR



Order number: E00105

from machine no.: 66664

Rev: R02

Status: 02/16/2021



**Areamachines GmbH**

Empelerstrasse 95

D-46459 Rees

[www.kersten-maschinen.de](http://www.kersten-maschinen.de)

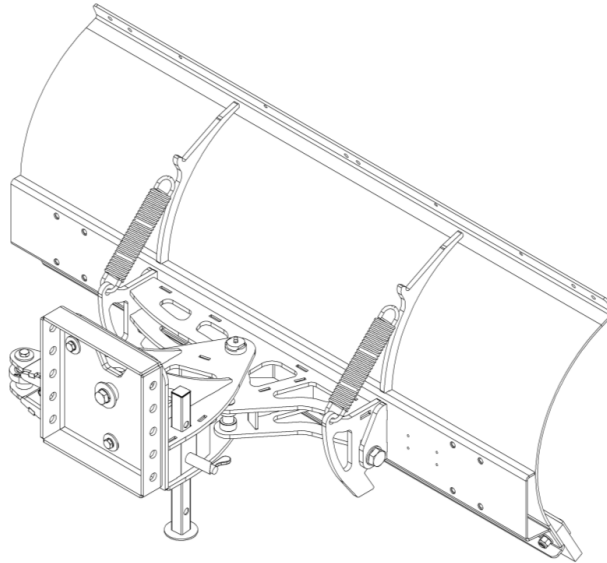
Phone: +49 (0) 2851 / 9234 - 19

Fax: +49 (0) 2851 / 9234 - 24

# Table of contents

<b>1</b>	<b>Model overview .....</b>	<b>1</b>
1.1	SCHN 13060 FK-ABR- C07146 R02 .....	1
1.2	SCHN 14060 FK-ABR - C07155 R02.....	1
1.3	SCHN 15060 FK-ABR - C07156 R02.....	1
1.4	SCHN 16060 FK-ABR - C10773 R02.....	1
1.5	SCHN 18060 FK-ABR - C07157 R02.....	1
1.6	SCHN 20060 FK-ABR - C07747 R02.....	1
<b>2</b>	<b>Assembly overview.....</b>	<b>2</b>
2.1	AMOUNTING FRAMEZASSEMBLY- C07184 R01 .....	2
2.2	psNOW SHIELDZASSEMBLY.....	4
2.2.1	SCHN 13060 FK-ABR - C11128 R01 .....	4
2.2.2	SCHN 14060 FK-ABR - C11126 R01 .....	4
2.2.3	SCHN 15060 FK-ABR - C11129 R01 .....	5
2.2.4	SCHN 16060 FK-ABR - C11130 R01 .....	5
2.2.5	SCHN 18060 FK-ABR - C11131 R01 .....	5
2.2.6	SCHN 20060 FK-ABR - C11132 R01 .....	5
2.3	pSTEEL BLADEZASSEMBLY.....	6
2.3.1	SCHN 13060 FK-ABR - C07748 R01 .....	6
2.3.2	SCHN 14060 FK-ABR - C07177 R01 .....	6
2.3.3	SCHN 15060 FK-ABR - C07526 R01 .....	7
2.3.4	SCHN 16060 FK-ABR - C10772 R01 .....	7
2.3.5	SCHN 18060 FK-ABR - C07527 R01 .....	7
2.3.6	SCHN 20060 FK-ABR - C07528 R01 .....	7
2.4	pGRINDING BLADEZASSEMBLY- C07176 R00 .....	8th
2.5	LWHEELZASSEMBLY- C07147 R00.....	9
2.6	AMOUNTING FRAMEFSLOT MOWER- C07181 R00 .....	10
2.7	AMOUNTING FRAMEKUPLE TRIANGLE3 pNOT- C07182 R00 .....	11
2.8	AMOUNTING FRAMEKAT.1/2 60HE SCHN - S1125 .....	12
2.9	ABR-SCHN-TELE-SMALL - S1168 .....	13
2.10	ABR-FAST-TELE - LARGEß- S1167.....	15
2.11	HYDRAULIC CONNECTIONS- C07179 R00 .....	17

**1 model overview**



**1.1 SCHN 13060 FK-ABR- C07146 R02**

No.	Item No.	no.	designation
1	C11128 R01	1	SCHN 13060 assembly
2	C07184 R01	1	Mounting frame assembly

**1.2 SCHN 14060 FK-ABR - C07155 R02**

No.	Item No.	no.	designation
1	C11126 R01	1	SCHN 14060 assembly
2	C07184 R01	1	Mounting frame assembly

**1.3 SCHN 15060 FK-ABR - C07156 R02**

No.	Item No.	no.	designation
1	C11129 R01	1	SCHN 15060 assembly
2	C07184 R01	1	Mounting frame assembly

**1.4 SCHN 16060 FK-ABR - C10773 R02**

No.	Item No.	no.	designation
1	C11130 R01	1	SCHN 16060 assembly
2	C07184 R01	1	Mounting frame assembly

**1.5 SCHN 18060 FK-ABR - C07157 R02**

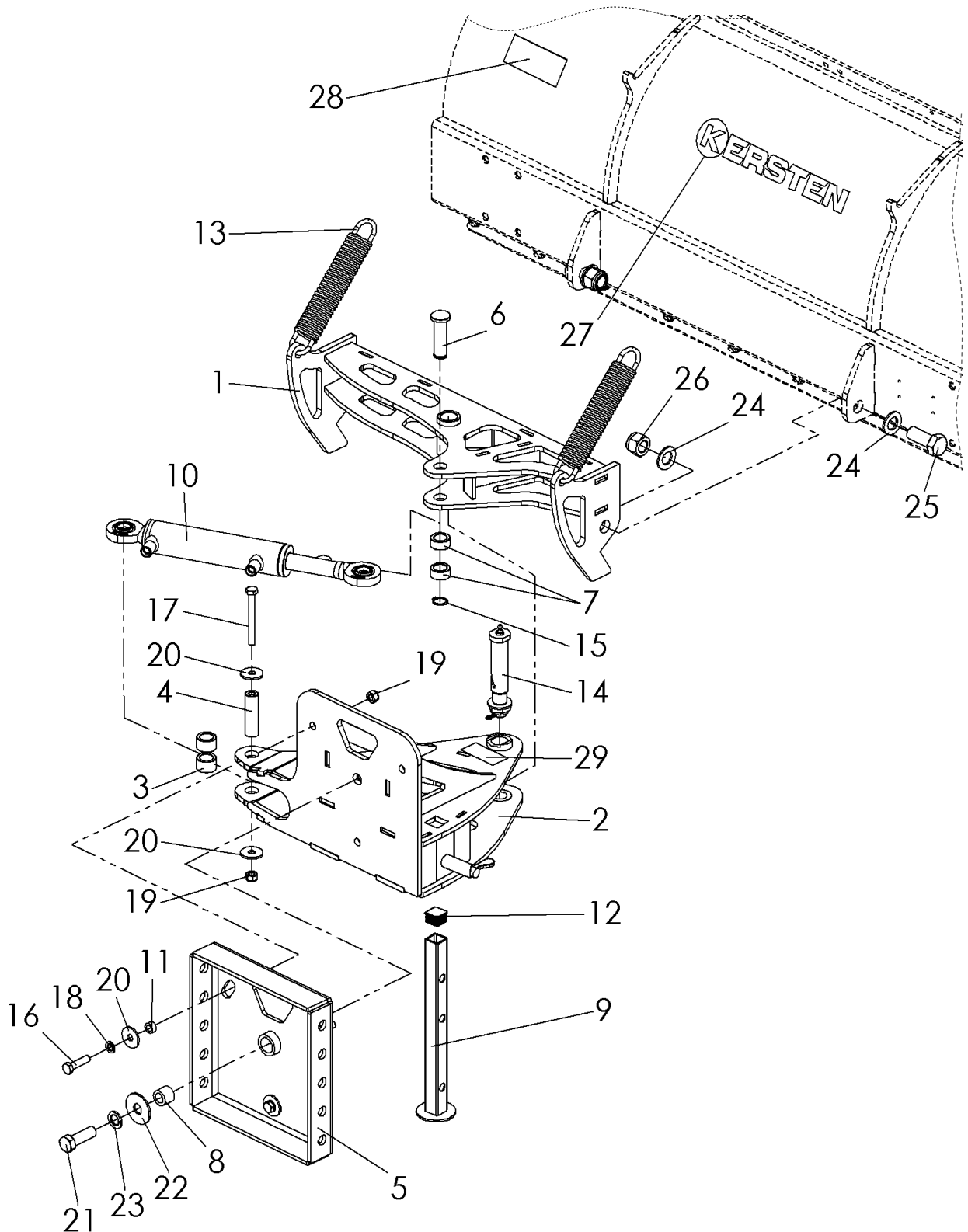
No.	Item No.	no.	designation
1	C11131 R01	1	SCHN 18060 assembly
2	C07184 R01	1	Mounting frame assembly

**1.6 SCHN 20060 FK-ABR - C07747 R02**

No.	Item No.	no.	designation
1	C11132 R01	1	SCHN 20060 assembly
2	C07184 R01	1	Mounting frame assembly

## 2 Assembly overview

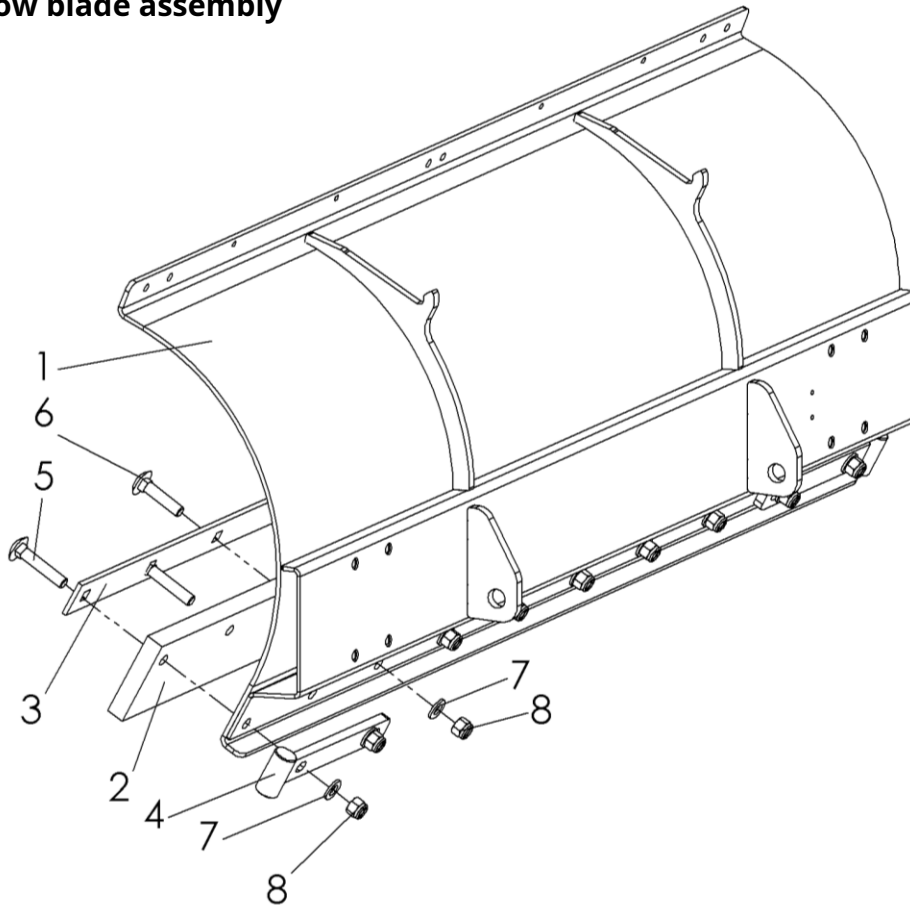
### 2.1 Mounting frame assembly - C07184 R01



## Mounting frame assembly - C07184 R01

No.	Item No.	no.	naming 1
1	C06555	1	Cross frame complete
2	C06556	1	Headstock complete
3	C06690	2	spacer bush
4	C06708	1	spacer sleeve
5	C06557	1	pendulum plate complete
6	C12218	1	socket pin
7	C06689	2	spacer bush
8th	705 251 620	1	sintered bush
9	800 150 010	1	support stand compl.
10	933 103 010	1	hydraulic cylinder
11	705 166 107	3	Rifle
12	943 125 252	1	protective cap
13	909 200 322	2	tension spring
14	903 220 015	1	spring bolt
15	905 920 000	1	circlip outside
16	901 010 040	3	Hexagon screw without shank
17	901 110 090	1	Hex head screw with shank
18	905 010 000	3	spring washer
19	900 010 002	4	stop nut
20	905 211 000	5	washer
21	901 016 050	1	Hexagon screw without shank
22	905 216 000	1	K disc
23	905 016 000	1	spring washer
24	905 120 000	4	washer
25	901 020 050	2	Hexagon screw without shank
26	900 020 002	2	stop nut
27	950 900 100	1	Kersten sticker
28	950 900 090	1	Sticker security
29	999 049 000	1	Sticker lubrication point

## 2.2 Snow blade assembly



### 2.2.1 SCHN 13060 FK-ABR - C11128 R01

No.	Item No.	no.	naming 1
1	C07142	1	Complete snow blade SCHN 13060
2	800 130 005	1	Robalon-S scraper bar
3	C07133	1	retaining rail scraper bar
4	C11589	2	collision protection compl.
5	901 912 065	4	carriage bolt
6	901 912 055	6	carriage bolt
7	905 112 000	10	washer
8th	900 012 002	10	stop nut

### 2.2.2 SCHN 14060 FK-ABR - C11126 R01

No.	Item No.	no.	naming 1
1	C06554	1	Complete snow blade SCHN 14060
2	800 140 108	1	Robalon-S scraper bar
3	C06700	1	retaining rail scraper bar
4	C11589	2	collision protection compl.
5	901 912 065	4	carriage bolt
6	901 912 055	6	carriage bolt
7	905 112 000	10	washer
8th	900 012 002	10	stop nut

**2.2.3 SCHN 15060 FK-ABR - C11129 R01**

No.	Item No.	no.	naming 1
1	C07139	1	Complete snow blade SCHN 15060
2	800 150 005	1	Robalon-S scraper bar
3	C07131	1	retaining rail scraper bar
4	C11589	2	collision protection compl.
5	901 912 065	4	carriage bolt
6	901 912 055	7	carriage bolt
7	905 112 000	11	washer
8th	900 012 002	11	stop nut

**2.2.4 SCHN 16060 FK-ABR - C11130 R01**

No.	Item No.	no.	naming 1
1	C10295	1	Complete snow blade SCHN 16060
2	800 160 005	1	Robalon-S scraper bar
3	C10285	1	retaining rail scraper bar
4	C11589	2	collision protection compl.
5	901 912 065	4	carriage bolt
6	901 912 055	7	carriage bolt
7	905 112 000	11	washer
8th	900 012 002	11	stop nut

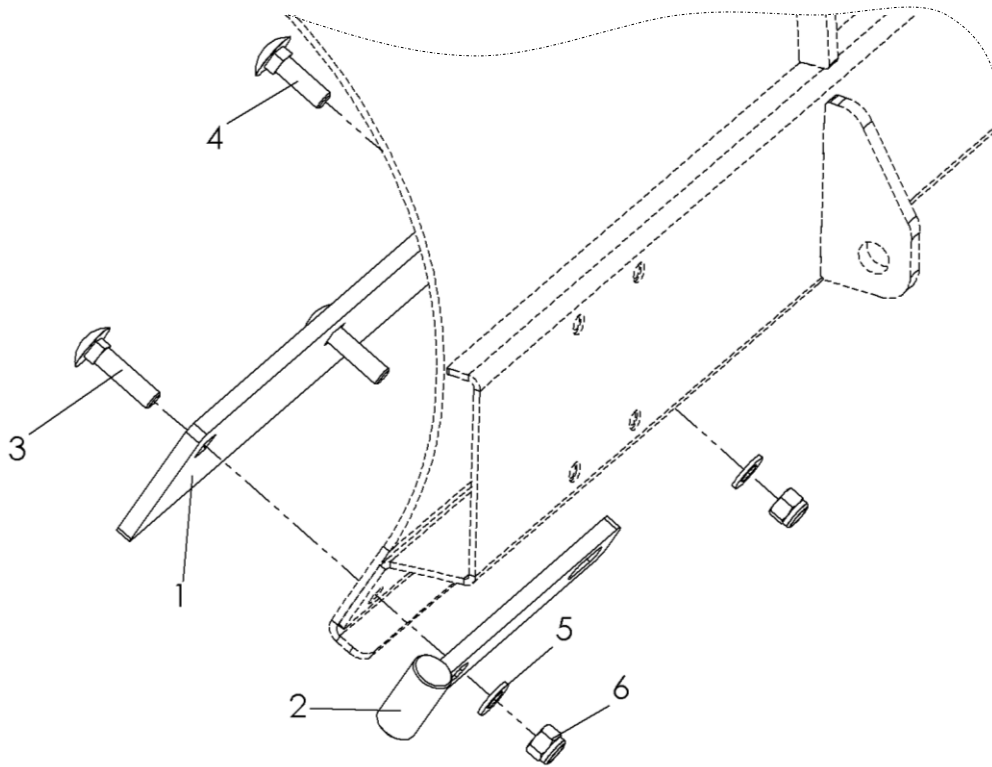
**2.2.5 SCHN 18060 FK-ABR - C11131 R01**

No.	Item No.	no.	naming 1
1	C07145	1	Complete snow blade SCHN 18060
2	800 180 005	1	Robalon scraper bar
3	C07132	1	retaining rail scraper bar
4	C11589	2	collision protection compl.
5	901 912 065	4	carriage bolt
6	901 912 055	9	carriage bolt
7	905 112 000	13	washer
8th	900 012 002	13	stop nut

**2.2.6 SCHN 20060 FK-ABR - C11132 R01**

No.	Item No.	no.	naming 1
1	C07049	1	Complete snow blade SCHN 20060
2	C00397	1	Robalon-S scraper bar
3	C07129	1	retaining rail scraper bar
4	C11589	2	collision protection compl.
5	901 912 065	4	carriage bolt
6	901 912 055	9	carriage bolt
7	905 112 000	13	washer
8th	900 012 002	13	stop nut

### 2.3 Steel scraper bar assembly



#### 2.3.1 SCHN 13060 FK-ABR - C07748 R01

No.	Item No.	no.	designation
1	C07134	1	steel scraper rail
2	C11589	2	collision protection compl.
3	901 912 050	4	carriage bolt
4	901 912 040	6	carriage bolt
5	905 112 000	10	washer
6	900 012 002	10	stop nut

#### 2.3.2 SCHN 14060 FK-ABR - C07177 R01

No.	Item No.	no.	designation
1	C06553	1	steel scraper rail
2	C11589	2	collision protection compl.
3	901 912 050	4	carriage bolt
4	901 912 040	6	carriage bolt
5	905 112 000	10	washer
6	900 012 002	10	stop nut



**2.3.3 SCHN 15060 FK-ABR - C07526 R01**

No.	Item No.	no.	designation
1	C07135	1	steel scraper rail
2	C11589	2	collision protection compl.
3	901 912 050	4	carriage bolt
4	901 912 040	7	carriage bolt
5	905 112 000	11	washer
6	900 012 002	11	stop nut

**2.3.4 SCHN 16060 FK-ABR - C10772 R01**

No.	Item No.	no.	designation
1	C10287	1	steel scraper rail
2	C11589	2	collision protection compl.
3	901 912 050	4	carriage bolt
4	901 912 040	7	carriage bolt
5	905 112 000	11	washer
6	900 012 002	11	stop nut

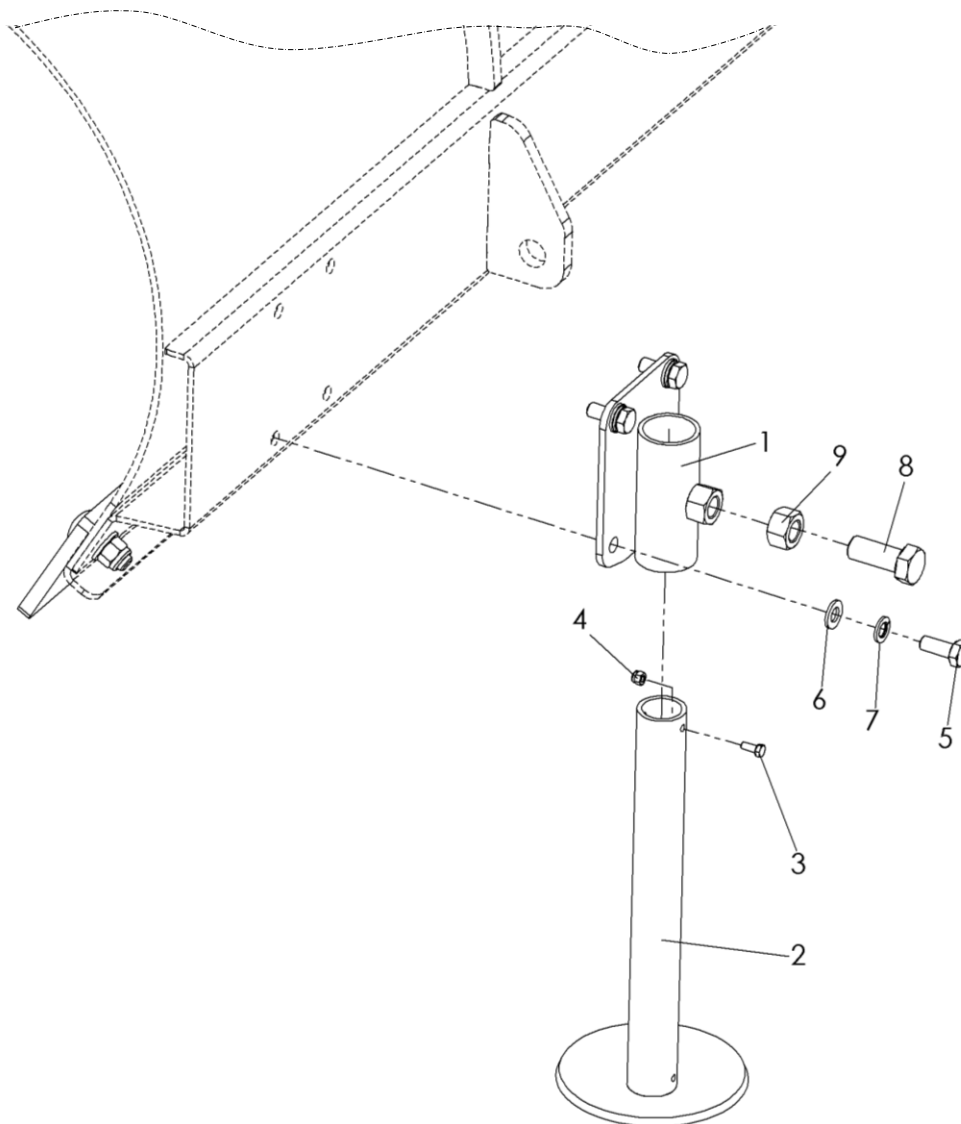
**2.3.5 SCHN 18060 FK-ABR - C07527 R01**

No.	Item No.	no.	designation
1	C07136	1	steel scraper rail
2	C11589	2	collision protection compl.
3	901 912 050	4	carriage bolt
4	901 912 040	9	carriage bolt
5	905 112 000	13	washer
6	900 012 002	13	stop nut

**2.3.6 SCHN 20060 FK-ABR - C07528 R01**

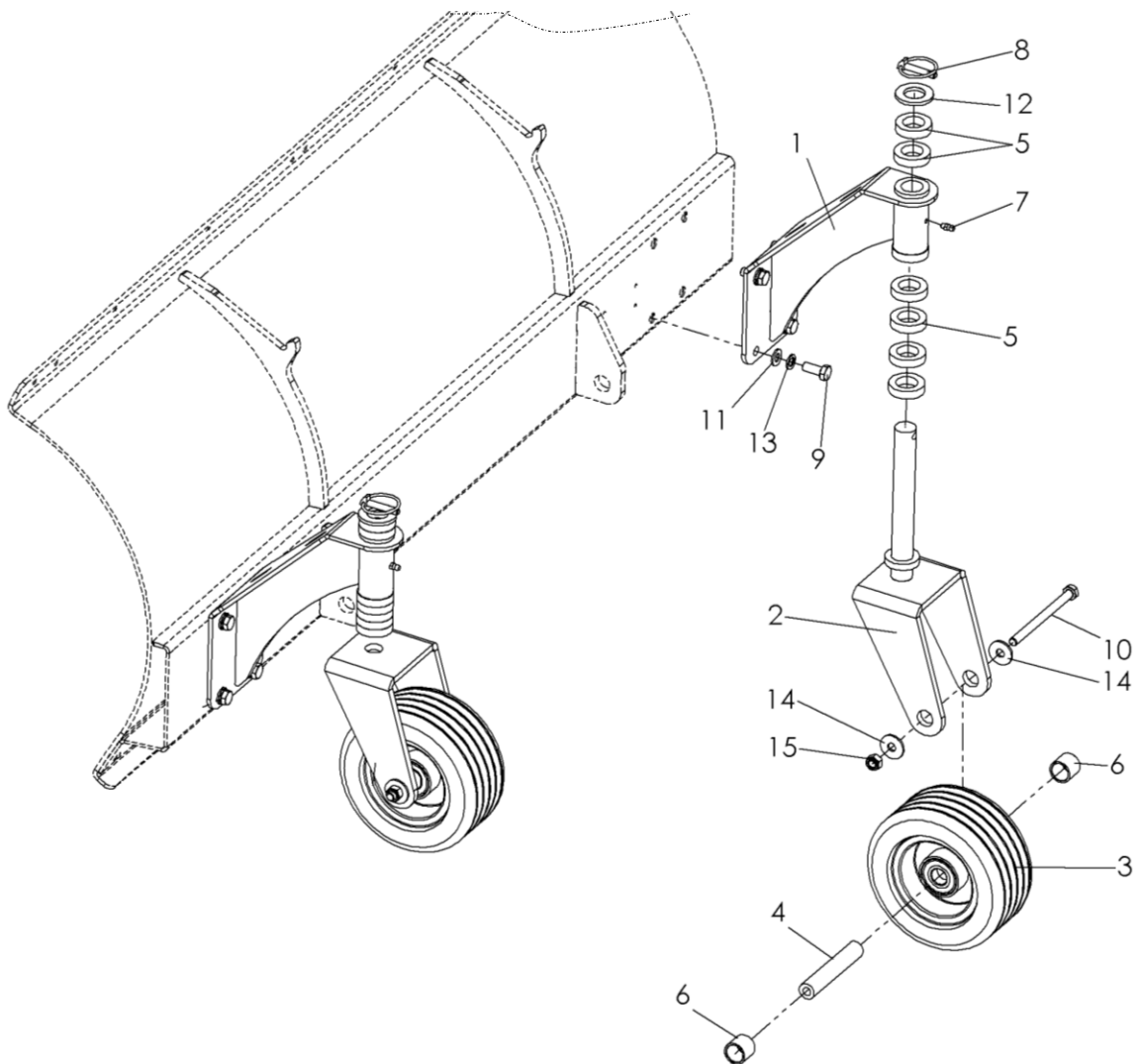
No.	Item No.	no.	designation
1	C07052	1	steel scraper rail
2	C11589	2	collision protection compl.
3	901 912 050	4	carriage bolt
4	901 912 040	9	carriage bolt
5	905 112 000	13	washer
6	900 012 002	13	stop nut

## 2.4 Skid assembly - C07176 R00



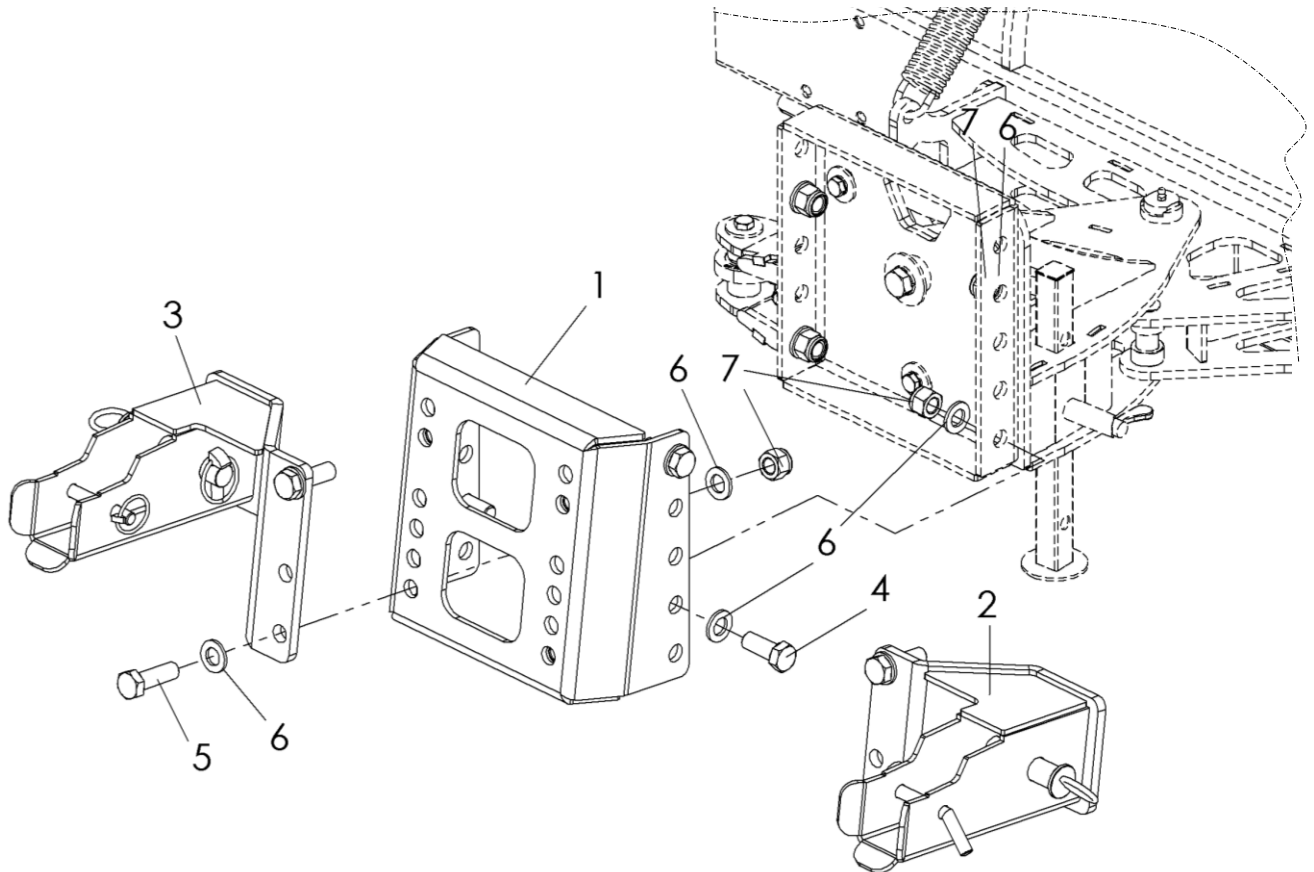
No.	Item No.	no.	designation
1	C06559	2	skid holder compl.
2	C06585	2	Skid plate large plate compl.
3	901 005 012	2	Hexagon screw without shank
4	900 005 002	2	stop nut
5	901 010 025	8th	Hexagon screw without shank
6	905 110 000	8th	washer
7	905 010 000	8th	spring washer
8th	901 016 040	2	Hexagon screw without shank
9	900 016 001	2	Skt. mother

2.5 Impeller assembly - C07147 R00



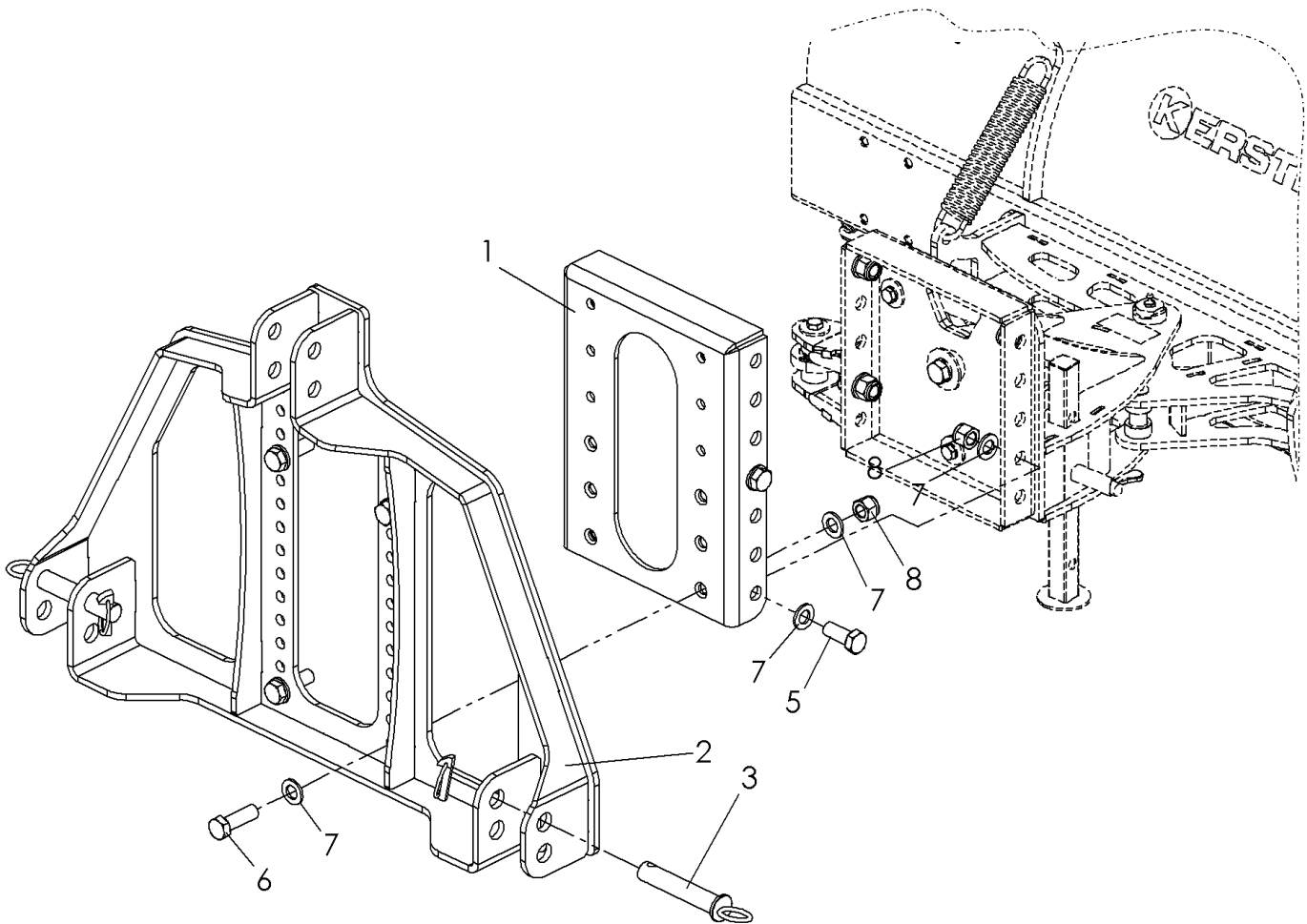
No.	Item No.	no.	naming 1
1	C06558	2	Wheel holder complete
2	950 010 005	2	wheel fork
3	926 300 180	2	Wheel
4	705 205 113	2	wheel axle
5	950 010 006	14	spacer ring
6	950 050 209	4	spacer sleeve
7	910 006 000	2	grease nipple
8th	907 108 000	2	linch pin
9	901 010 025	8th	Hexagon screw without shank
10	901 110 130	2	Hex head screw with shank
11	905 110 000	8th	washer
12	905 125 000	2	washer
13	905 010 000	8th	spring washer
14	905 210 000	4	K disc
15	900 010 002	2	stop nut

2.6 Attachment frame area mower - C07181 R00



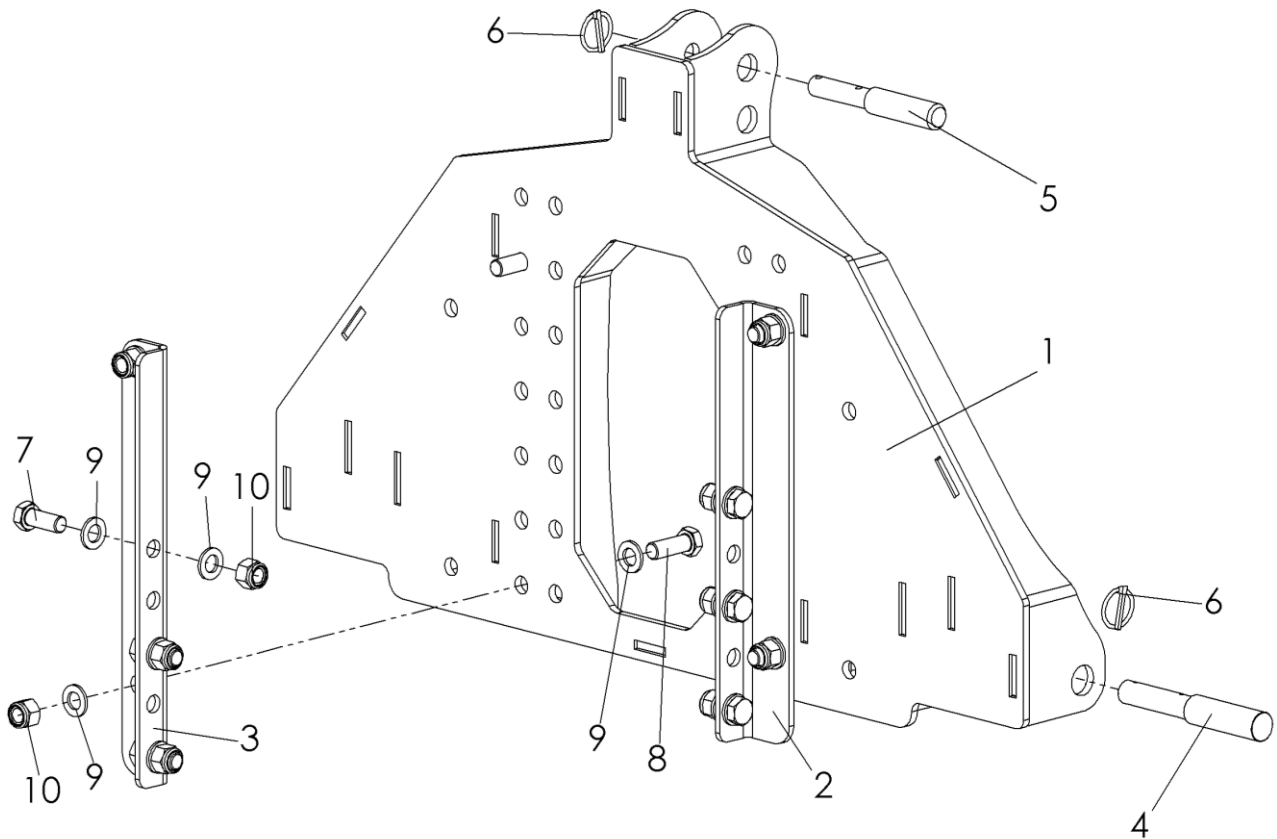
No.	Item No.	no.	designation
1	C05777	1	Snow shield mounting plate
2	on request	1	Lower link mount on the right
3	on request	1	Lower link mount on the left
4	901 016 040	4	Hexagon screw without shank
5	901 016 050	4	Hexagon screw without shank
6	905 116 000	16	washer
7	900 016 002	8th	stop nut

2.7 Attachment frame coupling triangle 3-point - C07182 R00



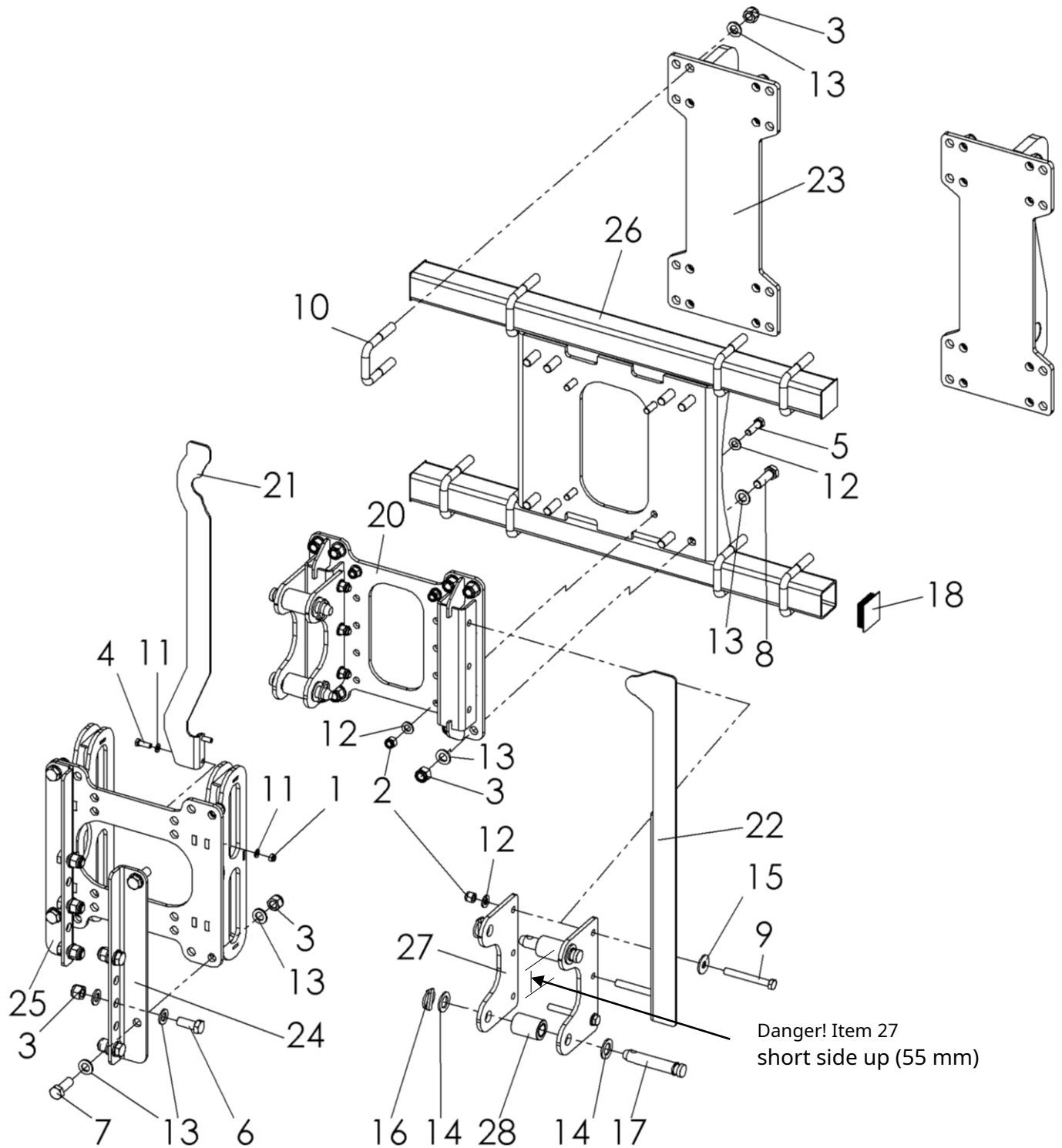
No.	Item No.	no.	designation
1	C10500	1	Mounting plate straight
2	C05322	1	frame complete
3	800 120 022	2	ring bolt
4	907 111 000	2	linch pin
5	901 016 040	4	Hexagon screw without shank
6	901 016 050	4	Hexagon screw without shank
7	905 116 000	16	washer
8th	900 016 002	8th	stop nut

2.8 Mounting frame cat.1/2 60er SCHN - S1125



No.	Item No.	no.	naming 1
1	C11058	1	ABR compl.
2	C12068	1	left angle
3	C12069	1	angle right
4	900 400 100	2	Lower link pin Cat1/2
5	900 401 925	1	Upper link stepped bolt Cat1/2
6	907 106 000	3	linch pin
7	901 016 040	6	Hexagon screw without shank
8th	901 016 045	4	Hexagon screw without shank
9	905 116 000	20	washer
10	900 016 002	10	stop nut

2.9 ABR-SCHN-TELE-SMALL - S1168

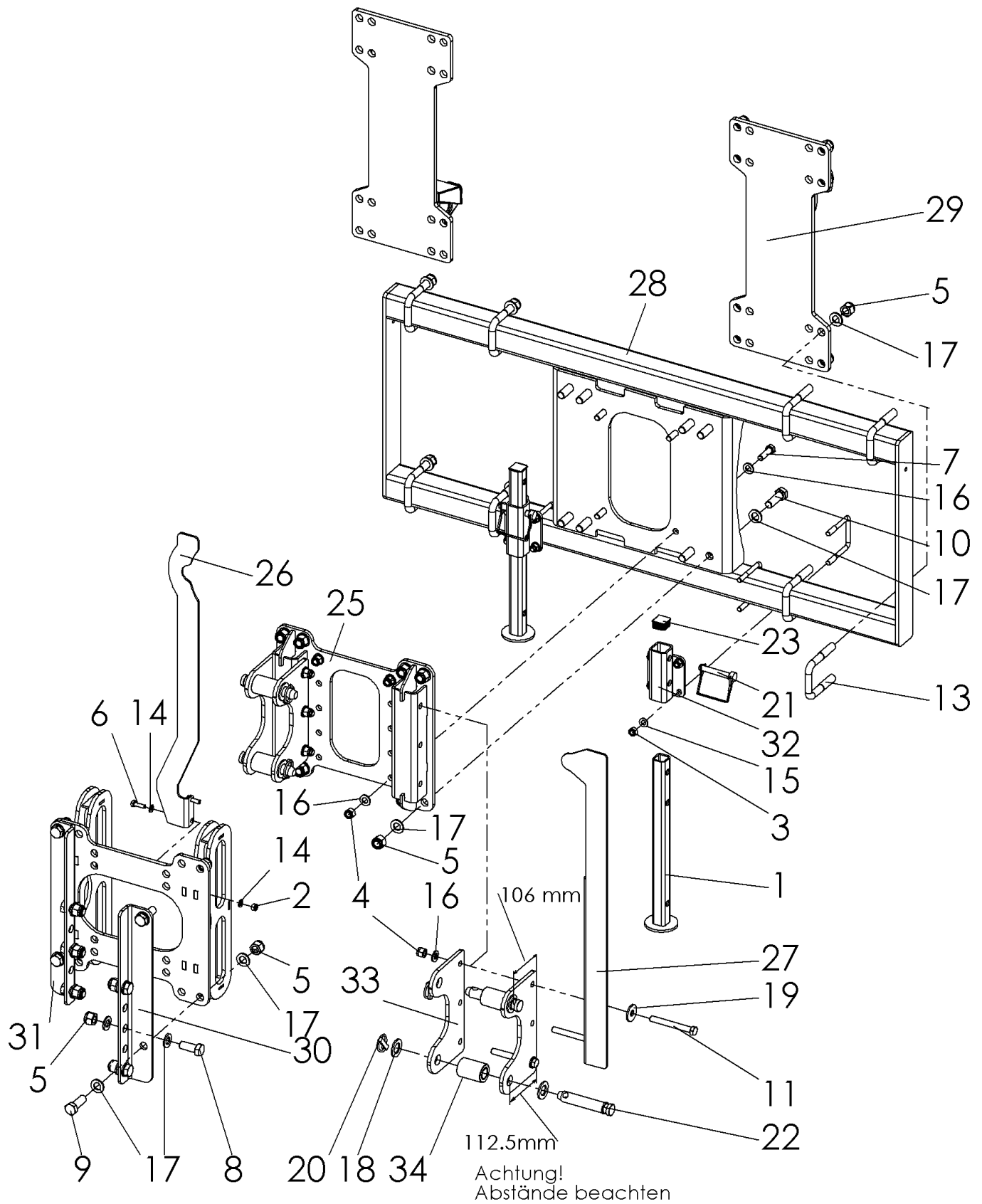


## ABR-SCHN-TELE-SMALL - S1168

No.	Item No.	no.	naming 1
1	900 008 002	2	stop nut
2	900 012 002	10	stop nut
3	900 016 002	34	stop nut
4	901 008 025	2	Hexagon screw without shank
5	901 012 040	4	Hexagon screw without shank
6	901 016 040	6	Hexagon screw without shank
7	901 016 045	4	Hexagon screw without shank
8th	901 016 050	8th	Hexagon screw without shank
9	901 112 100	6	Hex head screw with shank
10	901 516 560	8th	U-bolt
11	905 108 000	4	washer
12	905 112 000	18	washer
13	905 116 000	50	washer
14	905 122 000	8th	washer
15	905 212 001	2	K disc
16	907 110 000	4	linch pin
17	907 400 094	4	socket pin
18	943 160 604	4	protective cap
19	C05815	1	Pendulum frame on the machine side
20	C05821	1	mounting plate compl. vehicle side
21	C10071	1	Height display on the machine side
22	C10072	1	Height display on the vehicle side
23	see E00139	1	Select interchangeable recording
24	C12068	1	left angle
25	C12069	1	angle right
26	C12601	1	tubular frame small compl.
27	C12903	4	Mounting plate on the vehicle side
28	M00138	4	Pressure roller incl. plain bearing



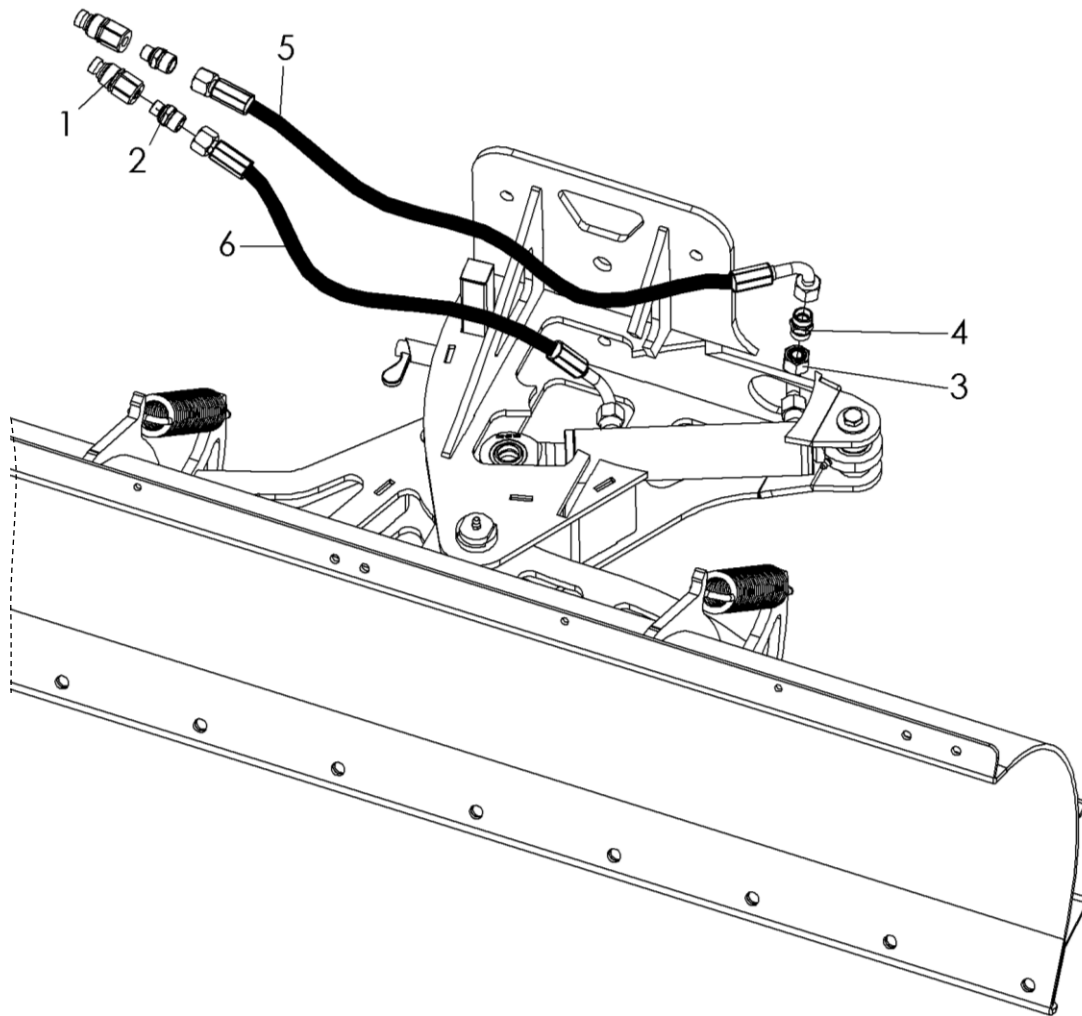
2.10 ABR-FAST-TELE - LARGE - S1167



## ABR-SCHN-TELE - LARGE - S1167

No.	Item No.	no.	naming 1
1	750 000 016	2	parking support compl.
2	900 008 002	2	stop nut
3	900 010 002	8th	stop nut
4	900 012 002	10	stop nut
5	900 016 002	34	stop nut
6	901 008 025	2	Hexagon screw without shank
7	901 012 040	4	Hexagon screw without shank
8th	901 016 040	6	Hexagon screw without shank
9	901 016 045	4	Hexagon screw without shank
10	901 016 050	8th	Hexagon screw without shank
11	901 112 100	6	Hex head screw with shank
12	901 510 260	4	U-bolt
13	901 516 560	8th	U-bolt
14	905 108 000	4	washer
15	905 110 000	8th	washer
16	905 112 000	18	washer
17	905 116 000	50	washer
18	905 122 000	8th	washer
19	905 212 001	2	K disc
20	907 110 000	4	linch pin
21	907 400 012	2	pipe linch pin
22	907 400 094	4	socket pin
23	943 130 302	2	protective cap
24	C05815	1	Pendulum frame on the machine side
25	C05821	1	mounting plate compl. vehicle side
26	C10071	1	Height display on the machine side
27	C10072	1	Height display on the vehicle side
28	C10210	1	tubular frame compl.
29	see E00139	1	Select interchangeable recording
30	C12068	1	left angle
31	C12069	1	angle right
32	C12071	2	parking stand holder
33	C12903	4	Mounting plate on the vehicle side
34	M00138	4	Pressure roller incl. plain bearing

## 2.11 Hydraulic connections - C07179 R00



No.	Item No.	no.	designation
1	on request	2	Hydraulic connector, non-drip, depending on the tractor
2	931 071 214	2	hydraulic fitting
3	931 251 290	1	hydraulic pipe elbow
4	931 091 200	1	hydraulic fitting
5	on request	1	Hydraulic hose depending on the tractor
6	on request	1	Hydraulic hose depending on the tractor